



Self-Priming Centrifugal Pump

Model 81 1/2P47A

- **Valox® 420 Construction**
- **Valox® 420 Impeller Handles 9/16" Solids**
- **1-1/2" NPT Suction and Discharge Ports**
- **2 HP TEFC Motor Available in Single or Three Phase**
- **Stainless Steel No. 416 Impeller Shaft**
- **Replaceable Vane Plate, Valox® 420**
- **Replaceable Flow Guide, Valox® 420**
- **Maximum Suction Lift is 20 Ft.**
- **Maximum Operating Pressure is 26 PSI**
- **Maximum Temperature is 160° F**
- **Viton®* Mechanical Seal**
- **Stainless Steel No. 18-8 Hardware**

Model 81 1/P47A is designed for applications in manufacturing basic products: batch mixing, hot or cold, agitation and recirculation, transfer and transport and application to soil. The Valox® construction and Viton® seal material make this pump ideally suited for handling nitrogen solutions, clear mixes, suspensions and slurries, fertilizers with additives such as herbicides, insecticides, trace elements and micronutrients. The semi-open Valox® impeller handles solids to 9/16" diameter. Replaceable vane plate and flow guide. Pump available in single or three phase and includes a strainer.

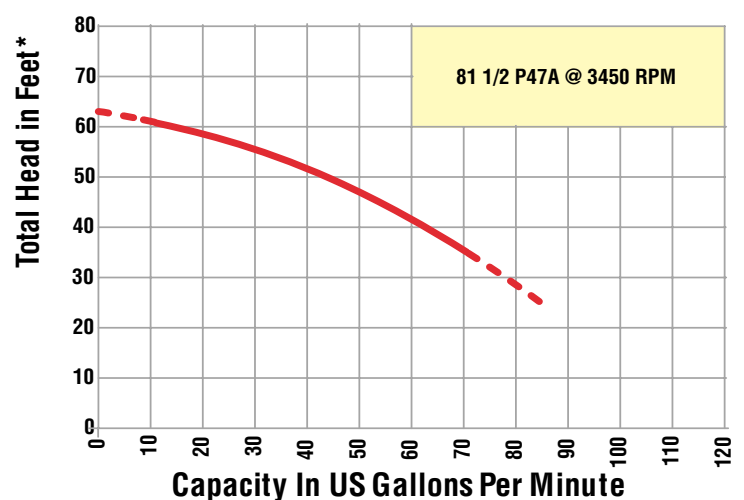
*Viton® is a registered trademark of DuPont

*Valox® is a registered trademark of General Electric



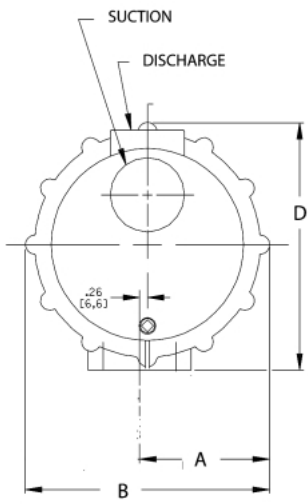
Model 81 1/2P47A-B

Composite of Performance Curves



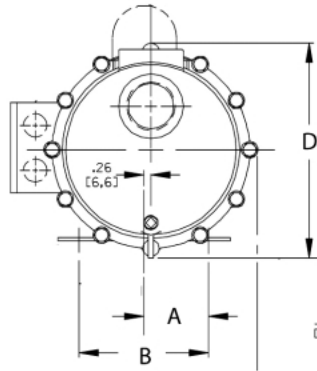
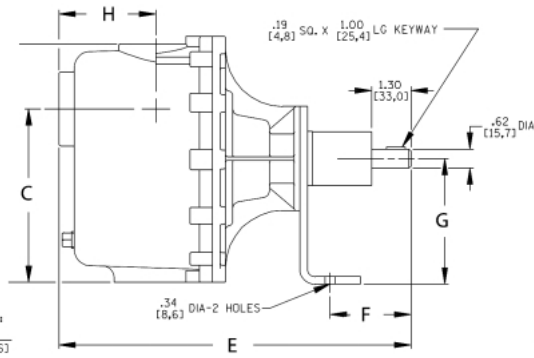
*Convert to PSI, divide by 2.31 Liquid-Water specific gravity 1.0

Self-Priming Utility Pump



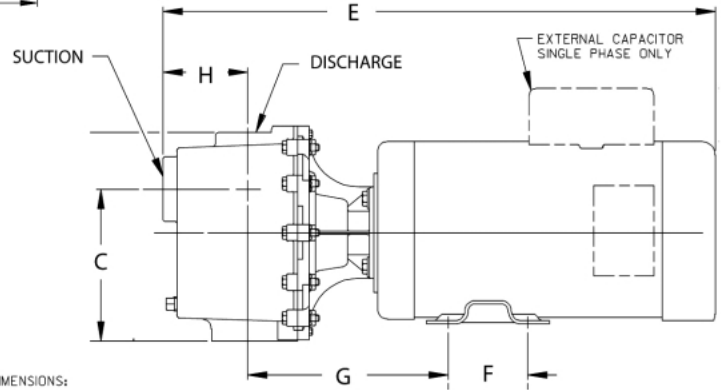
DIMENSIONS:
INCHES
(MILLIMETERS)

81 1/2P47A-B



DIMENSIONS:
INCHES
(MILLIMETERS)

81 1/2P47A-E2



MODEL	A	B	C	D	E	F	G	H	SUCT*	DISCH*
81 1/2P47A-E2	2.44 (62.0)	4.88 (124.0)	5.73 (145.5)	8.18 (207.8)	20.78 (527.8)	3.00 (76.2)	7.54 (191.5)	3.18 (80.8)	1.50	1.50
81 1/2P47A-B	4.28 (108.7)	8.06 (204.7)	5.73 (145.5)	8.18 (207.8)	11.62 (295.1)	2.67 (67.8)	4.15 (105.4)	3.18 (80.8)	1.50	1.50

(*) STANDARD NPT PIPE THREADS

(**) DIMENSIONS MAY VARY WITH MOTOR MANUFACTURER

Standard Features - 81 1/2P47A

- Valox® construction with Valox® impeller
- 1-1/2" NPT suction and discharge ports
- 2 HP TEFC Motor
- Maximum suction lift 20 Ft.
- Maximum operating pressure 26 PSI
- Maximum temperature 160° F
- Viton®* mechanical seal
- "Off-the-Shelf" availability

Model No.	Description/ Type of Pump	Ship Wt (Lbs.)	Driver Type & HP	Port size Suc x dis (NPT)	Basic Construction	Seal Type & Elastomer/ Faces	VAC	FL Amps	Motor Enclosure
81 1/2P47A-E2 1P	Self-Priming Utility Pumps	60	Elect. Motor	1 1/2" x 1 1/2"	Valox®	Viton®* Carbon Ni-resist	115/230	60hz	TEFC
81 1/2P47A-E2 3P	Self-Priming Utility Pumps	60	Elect. Motor	1 1/2" x 1 1/2"	Valox®	Viton®* Carbon Ni-resist	230/460	60hz	TEFC
81 1/2P47A-B	Self-Priming Utility Pumps	10	Basic Pump	1 1/2" x 1 1/2"	Valox®	Viton®* Carbon Ni-resist	N/A	N/A	N/A
81 1/2P47A-(6)PPO	Self-Priming Utility Pumps	10	Kit	1 1/2" x 1 1/2"	Valox®	Viton®* Carbon Ni-resist	N/A	N/A	N/A

*Viton® is a registered trademark of DuPont



WARNING: Do not use in explosive atmosphere or for pumping volatile flammable liquids.

See price book page 17

The Gorman-Rupp Company reserves the right to discontinue any model or change specifications at any time without incurring any obligation.

CP51-52/1206